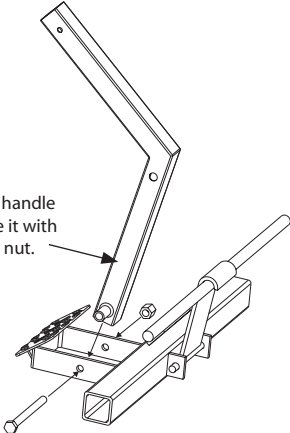
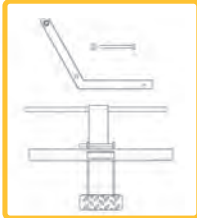


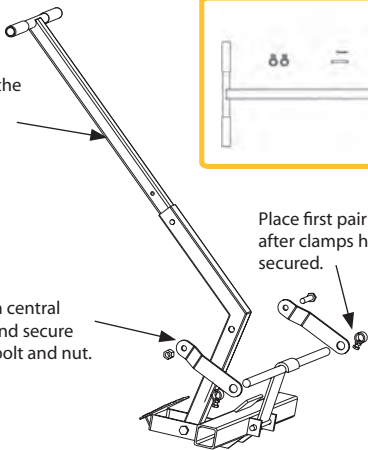
STEP 1



Insert the angled handle bar holder. Secure it with the long bolt and nut.




STEP 2



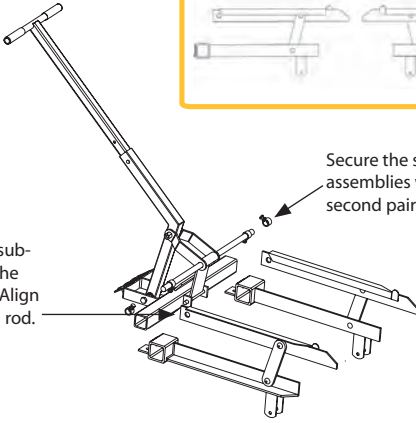
Insert handle bar onto the angled holder. Secure it with the lock pin.

Place clamps on central sub-assembly and secure them with the bolt and nut.

Place first pair of stoppers after clamps have been secured.

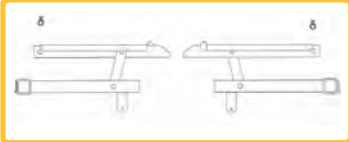


STEP 3

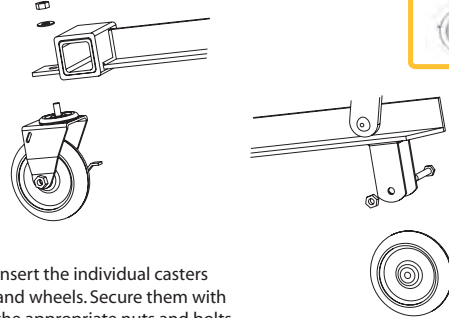


Secure both side sub-assemblies onto the central assembly. Align holes with central rod.


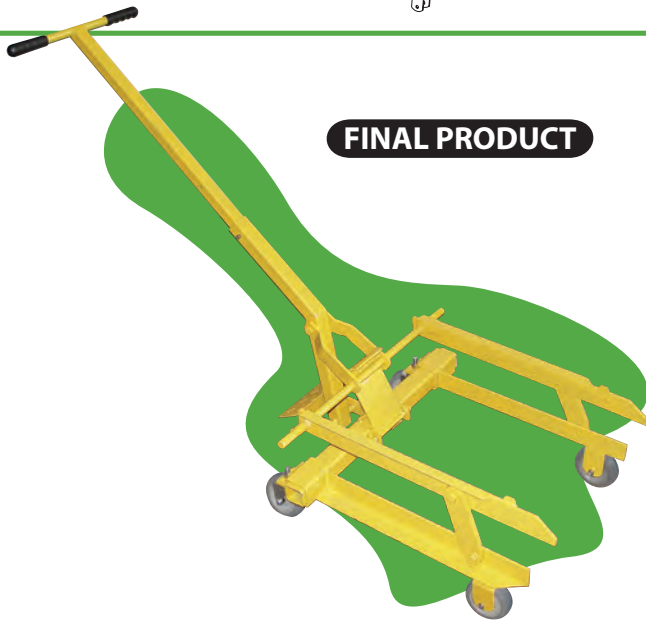
Secure the side sub-assemblies with the second pair of stops.



STEP 4



Insert the individual casters and wheels. Secure them with the appropriate nuts and bolts.

FINAL PRODUCT

CAUTION
Do not use excessive force when tightening the stoppers in steps 2 and 3